

LED High Bay Light
UFO03 70W-300W

190LM/W

SPECIFICATIONS



5 Years Warranty



CE RoHS



UFO03 70W-300W

Specification

Model	SL-UFOA00-70W	SL-UFOA00-90W	SL-UFOA00-110W	SL-UFOA00-150W	SL-UFOA00-200W	SL-UFOA00-240W	SL-UFOA00-300W
PF	>0.95						
Input Voltage (V)	100-277VAC						
CRI	Ra70	Ra80	Ra70	Ra80	Ra70	Ra80	Ra70
Efficacy (lm/W)±5%	190	175	190	175	190	175	190
Lumen output±5%	13300	12250	17100	15750	20900	19250	28500
CCT (K)	3000K/3500K/4000K/4500K/5000K/5700K						
Dimming	1-10V Dimming						
Intelligent Control	Motion Sensor(Order code:M); Daylight Sensor(Order code:D); PIR Sensor(Order code:PIR);						
Beam angle	60°/90°/120°						
Material	Body Aluminum+ PC Lens						
Operating Temperature	-40°C to 50°C						
Humidity	10% - 90%						
Installation	Ring Mounted; Bracket Mounted						
LED Type	2835						
Power Supply	Moso / Philips / Happsky						
Surge Protection	4kV line-line, 6kV line-earth						
Certification	UL / RoHS / DLC						
IP Rate	IP65						
Warranty	5 Years						

SL-UFOA00-XXXY-XXXX-CZ[XX]

SL-UFO	A00	XXX	Y	XXXX	C	Z	XX
Series	Voltage	Power	CCT	Lens	Versions Driver	Driver manufacturer	Mounting
SL-UFO	100-277V	70W	N 3000K	R060 Lens 60° R090 Lens 90° R120 Lens 120°	"C" The third generation	Q5 Happsky Driver W Xi Philips Driver W Blank Do not show driver manufacturer	Blank Rings, BM Bracket, BBM Rings and Bracket.
		90W	M 3500K				
		110W	L 4000K				
		150W	K 4500K				
		200W	C 5000K				
		240W	H 5700K				
		300W					

Description:

Model name description: SL-UFOA00-240Y-RXXX-C.

"SL" indicates the name of company producing the product;

"UFO" indicates the product is a LED High Bay;

"A00" indicates the voltage of the product;

"240" indicates the power of the product;

"Y" indicates the colour temperature of the product.

Where the "Y" can be N=3000K, M=3500K, L=4000K, K=4500K, C=5000K, H=5700K represents color temperature ;

Where XXXX represent light angle, it can be R060,R090,R120;

"C" indicates the shape size;

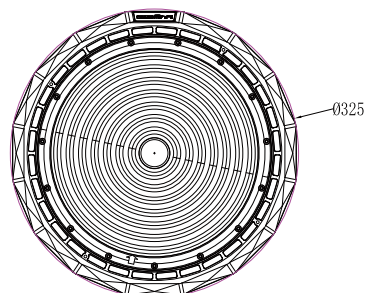
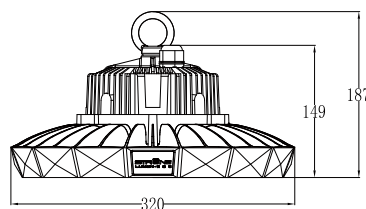
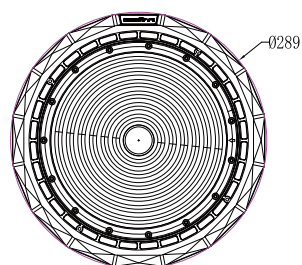
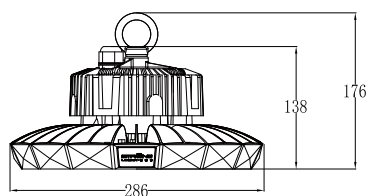
"Z" indicates the driver manufacturer, Blank indicates Moso driver manufacturer.

UFO03 70W-300W

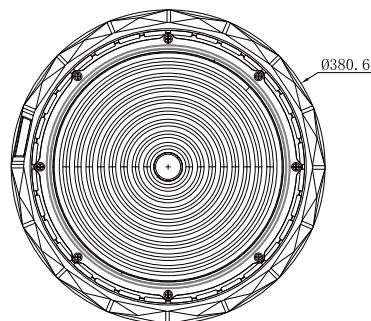
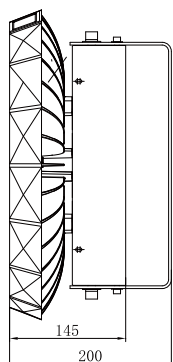
Packing

Model No.	Power	Size(mm)	Carton Size(mm)	G.W/1PCS±0.2KG
SL-UFOA00-70Y-XXXX-C	70W	Φ289xH176	L320xW320xH185	3.2KG
SL-UFOA00-90Y-XXXX-C	90W	Φ289xH176	L320xW320xH185	3.2KG
SL-UFOA00-110Y-XXXX-C	110W	Φ289xH176	L320xW320xH185	3.2KG
SL-UFOA00-150Y-XXXX-C	150W	Φ325xH187	L380xW380xH185	4.5KG
SL-UFOA00-200Y-XXXX-C	200W	Φ325xH187	L380xW380xH185	4.5KG
SL-UFOA00-240Y-XXXX-C	240W	Φ325xH187	L380xW380xH185	4.9KG
SL-UFOA00-300Y-XXXX-C	300W	Φ380.6xH143	L440xW440xH200	8.6KG

Specification



150-240W



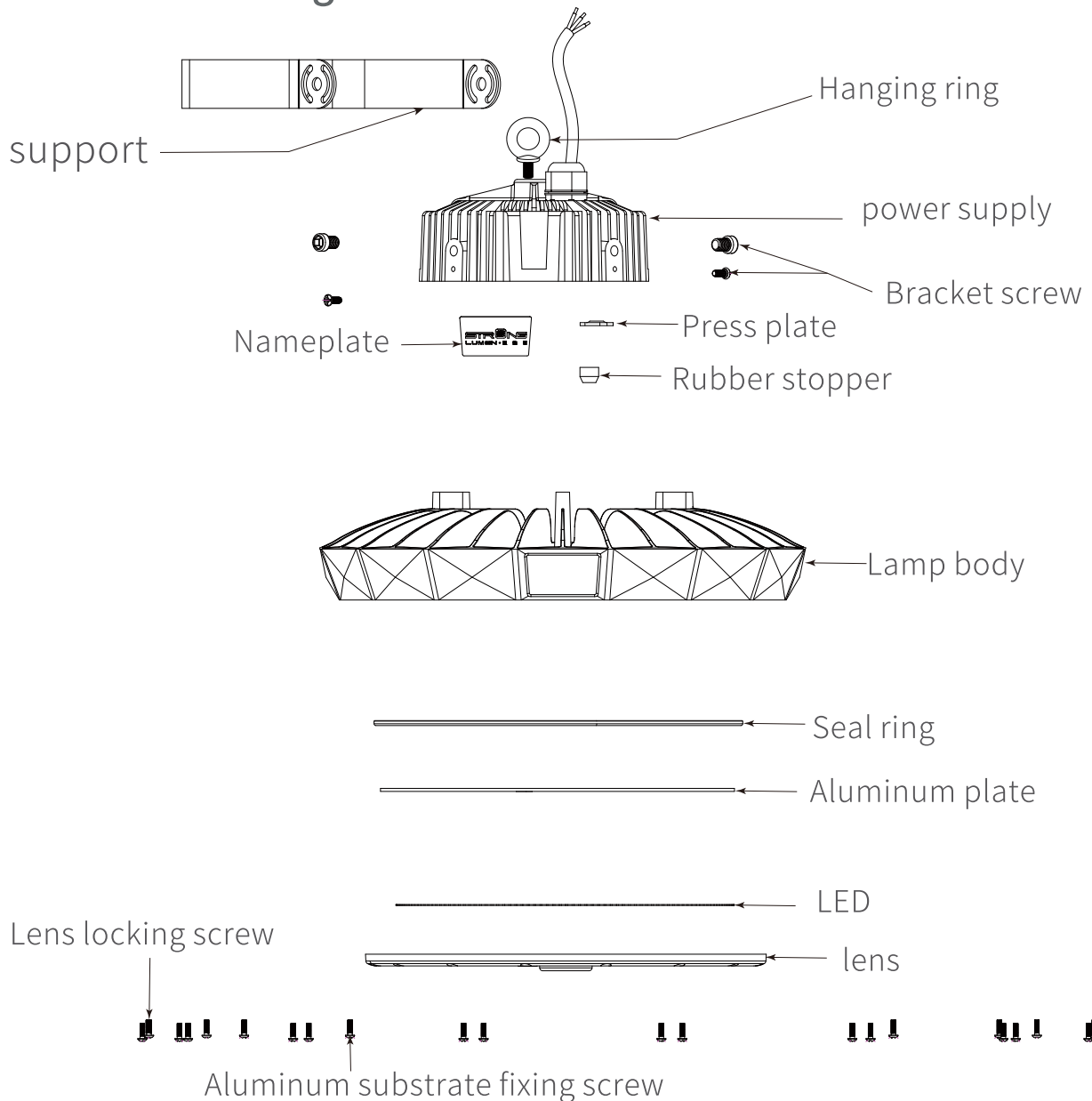
300W

UFO03 70W-300W

StructurePerformance

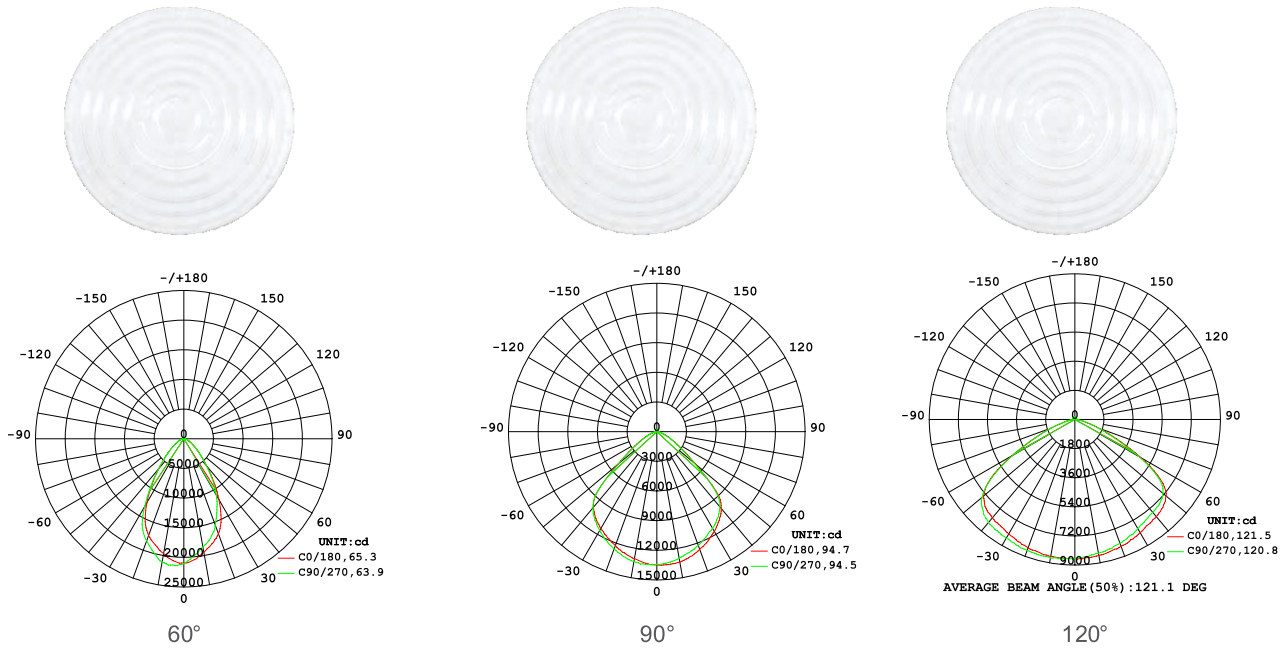
Dimension: LxHxW(mm)	φ289 x H176 / φ325 x H187 / φ380.6xH145
Housing:	Aluminum, bracket by Carbon Steel(RAL9017)
Cover:	Transparent PC
Cable Length:	300mm
IP Rate:	IP 65
IK Rate:	IK 10

Structure drawing



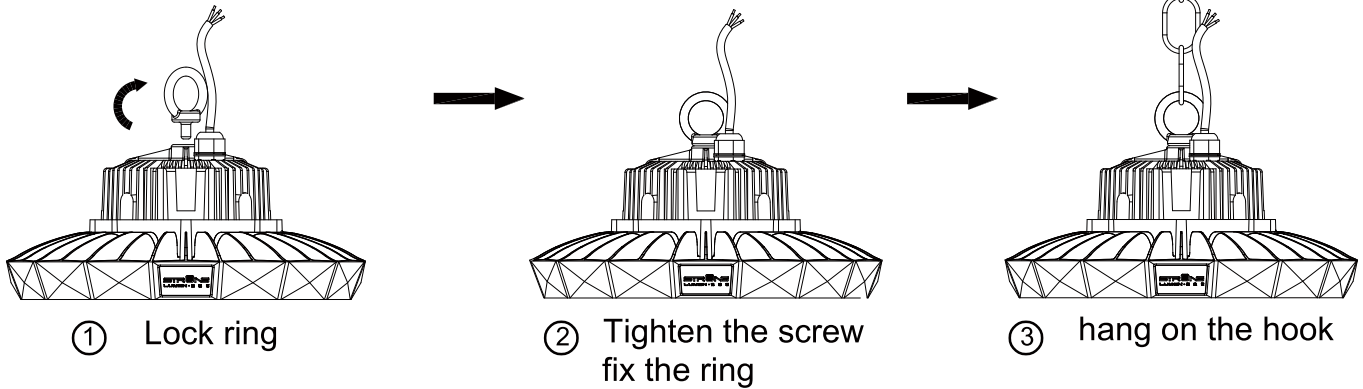
UFO03 70W-300W

Beam angle

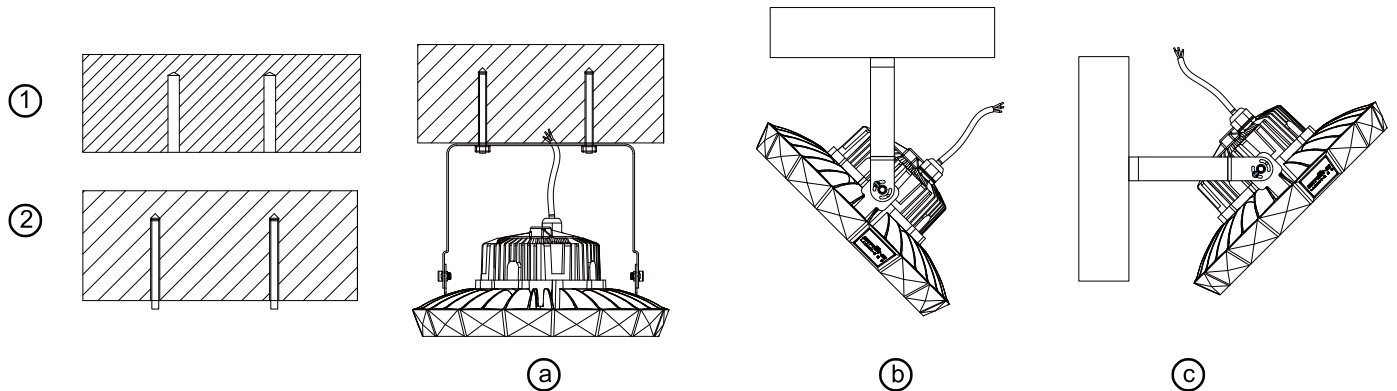


Installation

1、 Ring mounted



2、 Bracket mounted



UFO03 70W-300W

Regular Safety Test

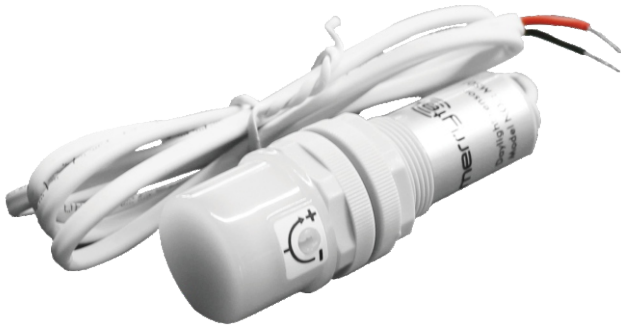
Test Item	Structure Classification	Testing Conditions	Testing parameters	Testing Time	Limiting Value
Hipot Test	■class I	input-shell	1000+2U(AC)	1min	10mA Max.
	□class II	input-shell	2000+4U(AC)	1min	10mA Max.
	□class III	input-shell	500Vac	1min	10mA Max.
Insulation Resistance	■class I	input-shell	500Vdc	1min	2MΩ Min.
	□class II	input-shell	500Vdc	1min	4MΩ Min.
	□class III	input-shell	100Vdc	1min	1MΩ Min.
Leakage Current	■class I	input-shell	220V/50Hz	10S	0.5mA Max.
	□class II	input-shell	220V/50Hz	10S	1.0mA Max.
Ground Resistance	■class I	Grounding wire-metal shell	10A	1min	500mΩ Max.

UFO03 70W-300W

Product Certification

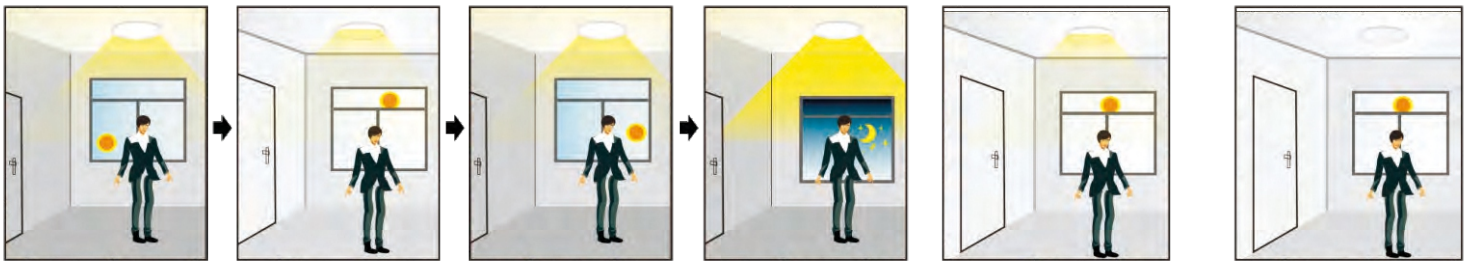
Certification Categories	Conform to the Standard Specification	MeetCertified	Certified
CCC	GB 7000.1; GB 7000.201; GB17743; GB17625.1	√	√
CQC	GB 7000.1; GB 7000.201; GB17743; GB17625.1; GB 18595	√	√
CE	EN 60598-1; EN60598-2-1; EN62493; EN55015; EN 61000-3-2; EN61000-3-3; EN61547; EN62471	√	√
UL	UL 1598; UL1993;UL8750; UL1598C	√	√
RCM	SAA 60598.1; SAA 60598.2.1; CISPR 15		
RoHS	2011/65/EU directive (RoHS 2.0)	√	√
ERP	Reg.1194/2012/EC & EU (NO) 874/2012/EC	√	√
DLC	DLC Technical Requirements Table, V3.0	√	√
Energy Star	ENERGY STAR® Program Requirements Product Specification for Luminaires (Light Fixtures) Eligibility Criteria Version 2.0	√	√

UFO03 70W-300W



Light compensation

According to the setting, the illuminance can be automatically adjusted while the external environment changes.



The lamp lights on 100% illumination or dims to maintain the preset illumination level against ambient light.

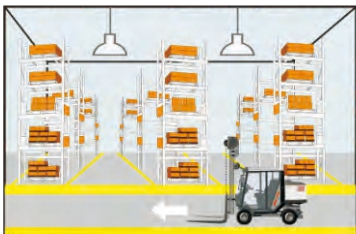
The lamp dims to minimum light level but never turn off even if with sufficient ambient light.

Users can switch off the light manually.

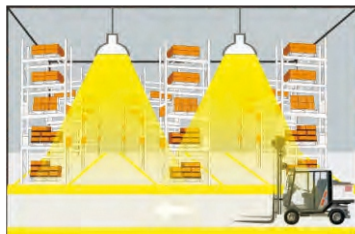


Microwave Motion Sensor

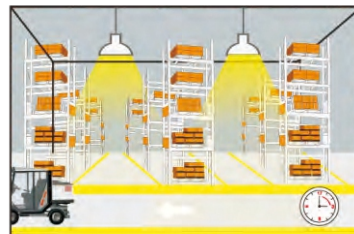
Automatically open when people walk in, when the person leaves, can be set to save 10%, 20%, 50% mode is on or automatically close after a while.



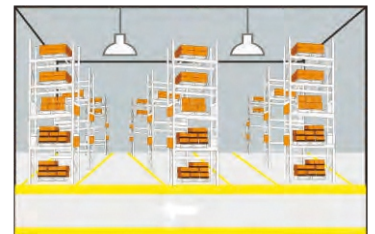
Before passing
Extinguished



Going through
Light up



After leaving
Save 10%,20%,50%



No one passed
Automatically shut down